



SitePlayerTM
Development System

Rev. 0310A

NetMedia, Inc.
Tucson, Arizona

NetMedia, Inc.
10940 N. Stallard Pl
Tucson, Arizona 85737
TEL: (520) 544-4567
FAX: (520) 544-0800

PURCHASE TERMS AND CONDITIONS

The laws of the State of Arizona shall govern PURCHASE TERMS AND CONDITIONS.

LIMITED WARRANTY: NETMEDIA MAKES NO WARRANTIES OTHER THAN THOSE CONTAINED HEREIN AND NETMEDIA EXPRESSLY DISCLAIMS ANY AND ALL IMPLIED WARRANTIES, INCLUDING ANY WARRANTY OF FITNESS FOR A PARTICULAR PURPOSE OR OF MERCHANTABILITY.

The foregoing limited warranty shall not apply unless Buyer has paid for in full the NetMedia products. Electronic updates to the NetMedia SitePlayer User's Manual and NetMedia SitePlayer software are available free to Registered Buyer upon request for a one (1) year period from the invoice date.

NOTICE

NetMedia, Inc. reserves the right to make improvements in the software product described in this manual as well as the manual itself at any time and without notice.

DISCLAIMER OF ALL WARRANTIES AND LIABILITY

NETMEDIA, INC. MAKES NO WARRANTIES, EITHER EXPRESSED OR IMPLIED, WITH RESPECT TO THIS MANUAL OR WITH RESPECT TO THE SOFTWARE DESCRIBED IN THIS MANUAL, ITS QUALITY, PERFORMANCE, MERCHANTABILITY, OR FITNESS FOR ANY PARTICULAR PURPOSE. NETMEDIA, INC. SOFTWARE IS SOLD OR LICENSED "AS IS". IN NO EVENT SHALL NETMEDIA, INC. BE LIABLE FOR INCIDENTAL OR CONSEQUENTIAL DAMAGES RESULTING FROM ANY DEFECT IN THE SOFTWARE.

Copyright (c) 2000 - 2003 NetMedia, Inc.

All rights are reserved. This manual may not, in whole or part, be copied, photocopied, reproduced, translated, or reduced to any electronic medium or machine-readable form without the prior agreement and written permission of NetMedia, Inc.

Table of Contents

SitePlayer Development System	2
Packing List	2
SitePlayer Development Board	2
Development Board Features	2
Development Board Connections	3
<i>J12 Power Connection</i>	3
<i>J9 Serial Connection</i>	3
<i>J13 Ethernet Connection</i>	3
<i>J2 to J8 Header Connections</i>	3
<i>J11 to J18 Header Connections</i>	3
<i>H1 and H2 Header Connections</i>	4
<i>H3 and H4 Header Connections</i>	4
Development Board Devices	4
<i>D1 Link Light LED</i>	4
<i>D2, D3, D4 User LEDs</i>	4
<i>S1, S2, S3 Push Buttons</i>	4
Development Board Schematic	5

SitePlayer Development System

The SitePlayer™ Development System is designed to give integrators a head start on SitePlayer product development. As well as providing the necessary network and programming connections for the SitePlayer Module, the development board also contains user controllable I/O features like LEDs, and push buttons, that can help speed along the development process.

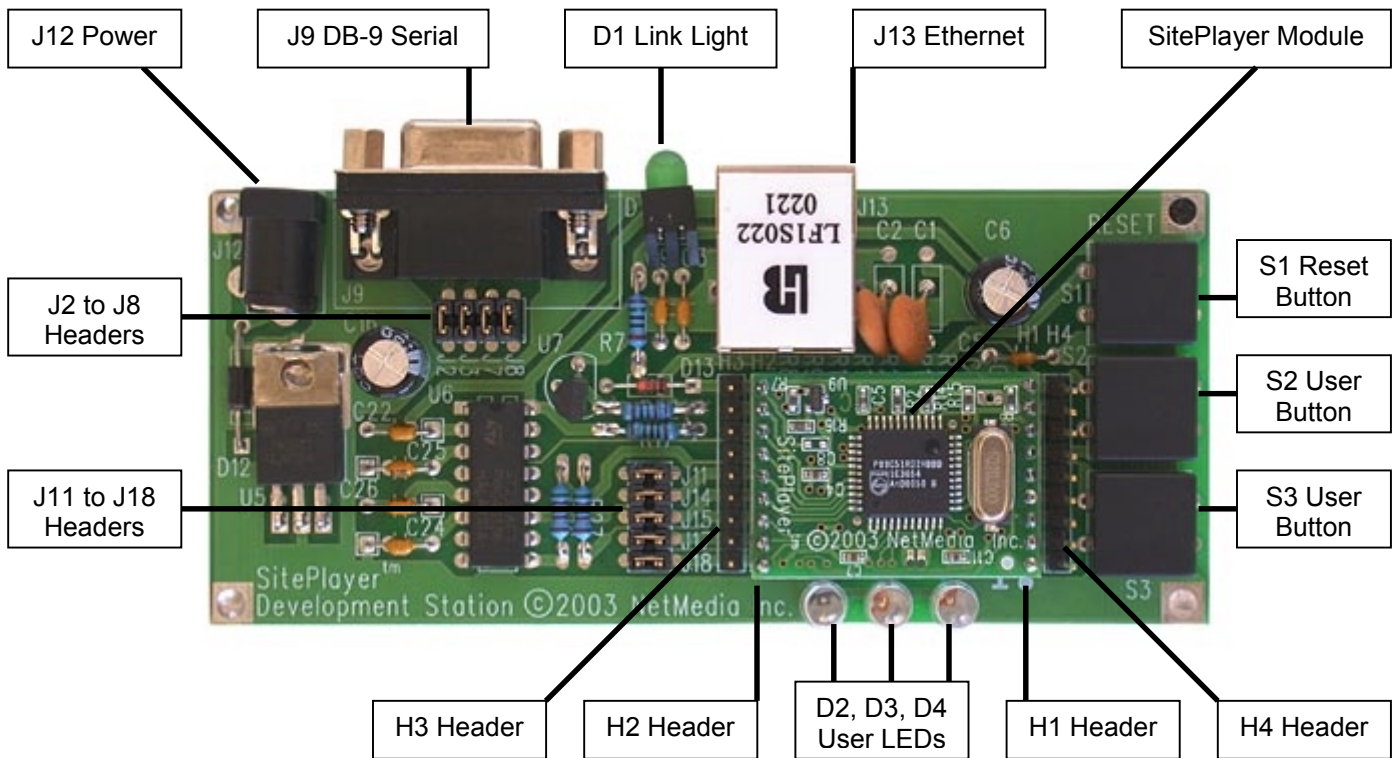
Packing List

- 1 SitePlayer Development Board
- 1 SitePlayer Module (Pre-installed on Development board)
- 1 6' Ethernet Cable
- 1 6' Serial Cable
- 1 12V DC wall transformer

If you find your development kit is missing any of the above items please contact your SitePlayer sales representative for replacement information.

SitePlayer Development Board

The SitePlayer Development board is a demonstration/development platform for the NetMedia, Inc. SitePlayer module.



Development Board Features

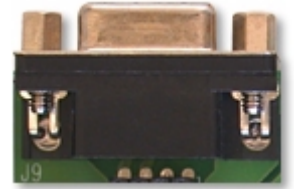
- Ethernet interface for connecting SitePlayer module to internet/intranet
- Serial connection provides non-Ethernet access to the SitePlayer module
- Link Light provides visual indication of proper Ethernet hardware connection
- Reset button allows users to force a SitePlayer module hardware/software re-boot
- Red and Green LEDs can be programmed to provide visual program status
- User push buttons allow the construction of simple user interfaces

Development Board Connections

Please refer to the *Development Board Schematic* for more details.

J9 Serial Connection

The DB-9 serial connector is used to connect SitePlayer to host devices such as PCs or microcontrollers. The DB-9's RX and TX lines are routed through an inverter on the development board to convert the SitePlayer module's inverted serial signals into a standard PC readable format. See *J2 to J8 Header Connections*.



J12 Power Connection

J12 is the development board's power-in connection. J12 requires 12V DC (100mA minimum) center conductor positive



J13 Ethernet Connection

J13 is the SitePlayer module's physical network connection. While visually similar to standard RJ-45 connectors, the LF1S022 Ethernet connector used on the SitePlayer Development board contains internal filtering and isolation circuitry.



J2 to J8 Header Connections

The J2 to J8 headers provide test and interface access to the development board's DB-9 connections. They can be useful for bypassing the development board's ST232CAN inverter. The header number corresponds to the DB-9 pin number.



Header	Pin1	Pin2
J2	DB-9 Pin2 (PC RX)	ST232CAN EIA-OUT1 (SP TXD)
J3	DB-9 Pin3 (PC TX)	ST232CAN EIA-OUT2 (SP I/O 3)
J7	DB-9 Pin7 (PC RTS)	ST232CAN EIA-IN1 (SP RXD)
J8	DB-9 Pin8 (PC CTS)	ST232CAN EIA-IN1 (SP I/O 5)

J11 to J18 Header Connections

The J11 to J18 header connections provide experimentation and test connection access to the development board devices. The header number corresponds to the SitePlayer module pin number.



Header	Pin1	Pin2
J11	SP I/O 0 (Pin 11 on SitePlayer Module)	Development Board Ground
J14	SP I/O 3 (Pin 14 on SitePlayer Module)	Development Board Red LED D2
J15	SP I/O 4 (Pin 15 on SitePlayer Module)	Development Board Green LED D3
J17	SP I/O 6 (Pin 17 on SitePlayer Module)	Development Board Green LED D4
J18	SP I/O 7 (Pin 18 on SitePlayer Module)	Development Board Link Light Monitor

H1 and H2 Header Connections

H1 and H2 are the pin connections for the SitePlayer module. SitePlayer should be inserted so that Pin1 of the module (next to circle) is on Pin1 of the developer board (next to circle and numeral 1). H1 connects to SP pins 1 through 9. H2 connects to SP pins 10 through 18.



H3 and H4 Header Connections

H3 and H4 are extensions of H2 and H1. They have been provided to allow easy access to the SitePlayer module pins for testing and/or connection purposes. Header H3 is a duplicate of H2 (SP pins 10 through 18) and H4 is a duplicate of H1 (SP pins 1 through 9). H4's pins have been extended to allow easy access to the H4's pins and the development board's push buttons (S2 and S3) when both are implemented.



Development Board Devices

Please refer to the *Development Board Schematic* for more details.

D1 Link Light LED

The Link Light is located between the development board's serial and Ethernet connectors. The development board's link light is controlled by the SitePlayer module's Ethernet chip and will illuminate green whenever an Ethernet connection is detected. Note: Neither the development board's link light nor the SitePlayer module's link light output pins are user controllable.



D2, D3, D4 User LEDs

D2 is a Red LED and is tied to the SitePlayer module's Pin14 (SP I/O 3) through J14. D3 is a Green LED and is tied to the SitePlayer module's Pin15 (SP I/O 4) through J15. D4 is a Green LED and is tied to the SitePlayer module's Pin17 (SP I/O 6) through J17. All the LEDs are active low.

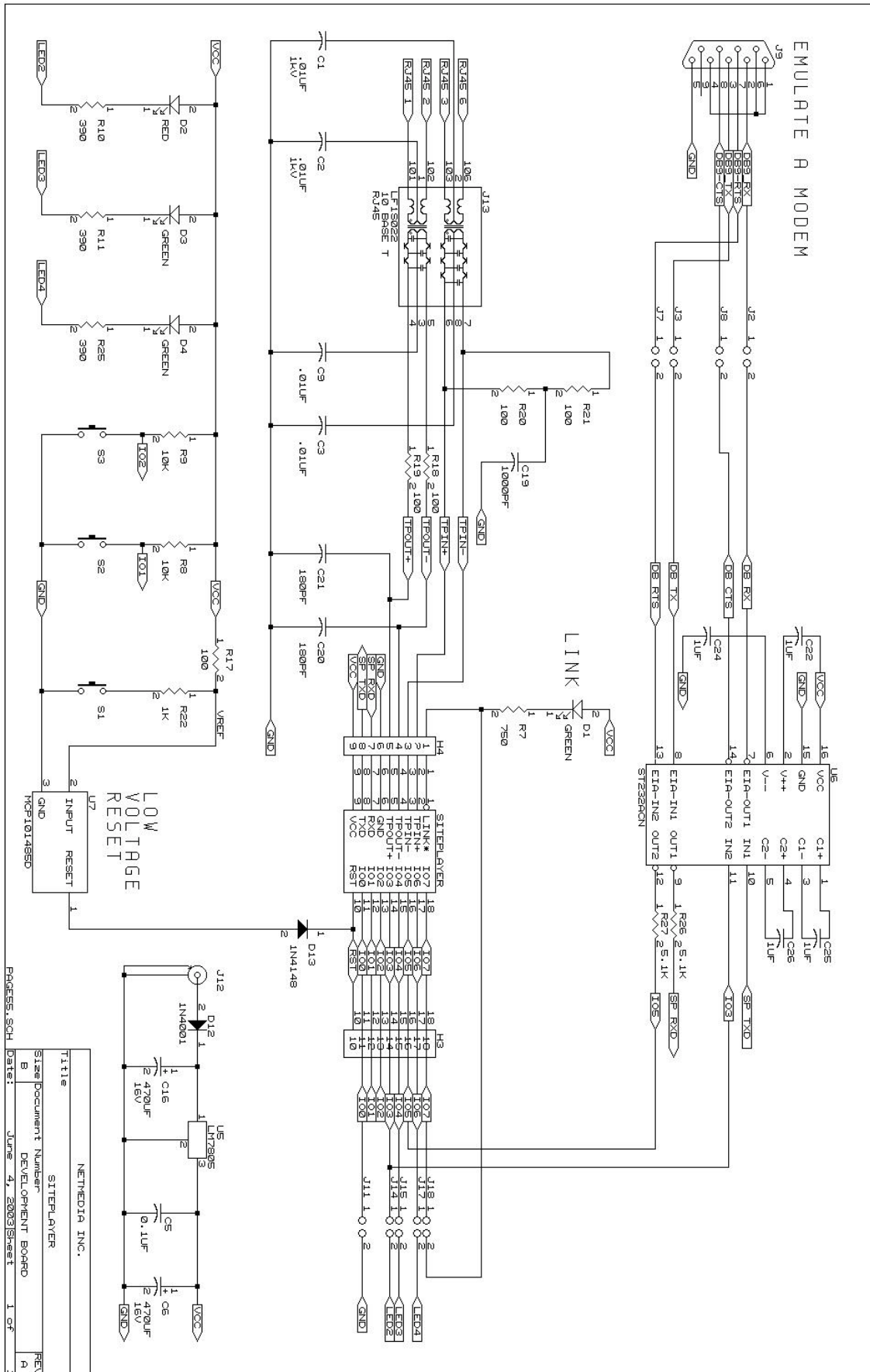


S1, S2, S3 Push Buttons

The development board comes with three momentary push buttons. Reset Button S1 is connected to the SitePlayer module's Pin10 (SP RST). User Button S2 is connected to Pin12 (SP I/O 1). User Button S3 is connected to Pin13 (SP I/O 2). The two user buttons are tied high through 10K pull-up resistors. When pressed, they will produce logic 0.



Development Board Schematic



Title		NETMEDIA INC.	
Size/Document Number		SITEPLAYER	
Date:		June 4, 2003	
Page:		1 of 1	
REV	A	DATE	